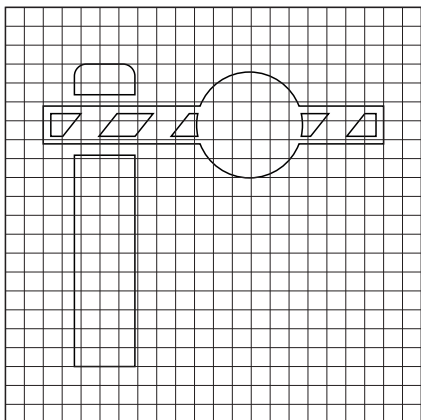


TC2254





TC1257



TC1362

Example layout

Colour Legend

-  Retroreflective yellow
-  Black

Notes

- 1 This sign may be used at locations where traffic control is carried out by a traffic controller with the aid of a manually controlled boom barrier.
2. It is to be used as a multi message sign combination only and shall be used in conjunction with both TC1257 and TC1362. Refer to example.



**Queensland
Government**

**MULTI-MESSAGE SIGN PLATE
"BOOM BARRIER"**

Department of Transport and Main Roads
Infrastructure Management & Delivery Division

APPROVED AS OFFICIAL TRAFFIC SIGN

Designed
TV 03/17

Checked
DJ 03/17

Scale
Not to Scale


PRINCIPAL ENGINEER
(Traffic Engineering)

16/03/17
Date

TC2254

A				
---	--	--	--	--